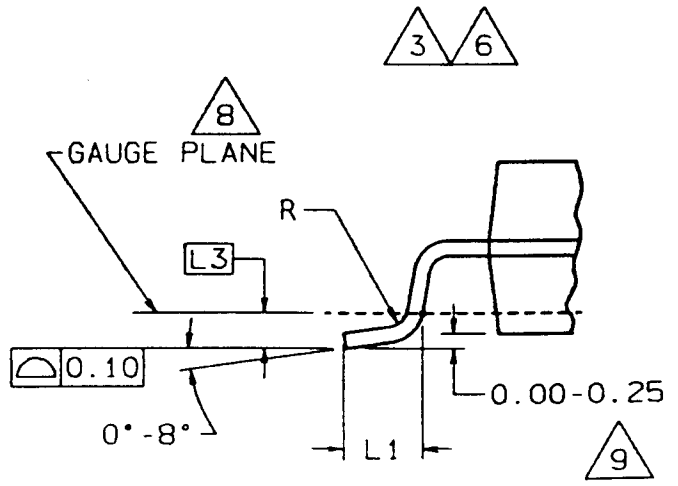


SECTION A-A



DETAIL B  
ROTATED 90°

SYMBOL	VARIATIONS (ALL DIMENSIONS SHOWN IN MILLIMETERS)											
	AA			NOTE	AB			NOTE	AC			NOTE
	MIN	NOM	MAX		MIN	NOM	MAX		MIN	NOM	MAX	
A	4.32	4.49	4.65		4.32	4.49	4.65		4.32	4.49	4.65	
C2	1.14	1.27	1.40		1.14	1.27	1.40		1.14	1.27	1.40	
D	8.38	8.89	9.40		8.38	8.89	9.40		8.38	8.89	9.40	
E	9.78	10.08	10.41	4	9.78	10.08	10.41	4	9.78	10.08	10.41	4
D1	6.35	-	-	5	6.35	-	-	5	6.35	-	-	5
E1	5.08	-	-	5	5.08	-	-	5	5.08	-	-	5
L	13.95	14.20	14.45		13.95	14.20	14.45		13.95	14.20	14.45	
L1	1.72	1.98	2.24		1.72	1.98	2.24		1.72	1.98	2.24	
L2	1.07	1.22	1.40	4	1.07	1.22	1.40	4	1.07	1.22	1.40	4
L3	0.76 BSC				0.76 BSC				0.76 BSC			
b	0.66	0.80	0.94	3,6	0.66	0.80	0.94	3,6	0.57	0.72	0.86	3,6
c	0.36	0.51	0.66	3,6	0.36	0.51	0.66	3,6	0.36	0.51	0.66	3,6
b1	0.66	0.79	0.89	3,6	0.66	0.79	0.89	3,6	0.57	0.71	0.81	3,6
c1	0.35	0.46	0.53	3,6	0.35	0.46	0.53	3,6	0.35	0.46	0.53	3,6
R	-	-	0.76		-	-	0.76		-	-	0.76	
N	3				5				7			
e	2.54 BSC				1.70 BSC				1.27 BSC			

NOTE 1,2,7,8,11

REF. 10-340, JEDEC PUB 95-T0220 AA-AC, TS-001 AND MO-048 AA-AD

ISSUE

SYMBOL	VARIATIONS (ALL DIMENSIONS SHOWN IN MILLIMETERS)											
	AD			NOTE	AE			NOTE				NOTE
	MIN	NOM	MAX		MIN	NOM	MAX		MIN	NOM	MAX	
A	4.32	4.49	4.65		4.32	4.49	4.65					
C2	1.47	1.52	1.60		1.47	1.52	1.60					
D	10.57	10.69	10.82		10.57	10.69	10.82					
E	19.89	20.01	20.14	4	19.89	20.01	20.14	4				
D1	10.79	-	-	5	10.79	-	-	5				
E1	11.05	-	-	5	11.05	-	-	5				
L	15.75	16.00	16.25		15.75	16.00	16.25					
L1	1.72	1.98	2.24		1.72	1.98	2.24					
L2	1.40	1.73	2.03	4	1.40	1.73	2.03	4				
L3	0.76 BSC				0.76 BSC							
b	0.91	0.99	1.07	3,6	0.61	0.71	0.81	3,6				
c	0.36	0.48	0.61	3,6	0.36	0.48	0.61	3,6				
b1	0.91	0.96	1.02	3,6	0.61	0.69	0.76	3,6				
c1	0.36	0.46	0.56	3,6	0.36	0.46	0.56	3,6				
R	-	-	0.76		-	-	0.76					
N	11				15							
e	1.70 BSC				1.27 BSC							

NOTE 1,2,7,8,11

REF. 10-340, JEDEC PUB 95-T0220 AA-AC, TS-001 AND MO-048 AA-AD

ISSUE

## NOTES:

1. DIMENSIONING AND TOLERANCING PER ANSI Y14.5M-1982.
2. ALL DIMENSIONS IN MILLIMETERS.
3. SECTION A-A APPLIES BETWEEN 0.10-0.25mm FROM LEAD TIP.
4. TAB CONTOUR OPTIONAL WITHIN DIMENSIONS E AND L2.
5. DIMENSIONS D1 AND E1 ESTABLISH A MINIMUM MOUNTING SURFACE FOR HEATSLUG.
6. DIMENSIONS b1 AND c1 APPLY TO BASE METAL ONLY. DIMENSIONS b AND c APPLY TO THE PLATED LEAD.
7. EXACT SHAPE AND SIZE OF THESE FEATURES IS OPTIONAL.
8. GAUGE PLANE IS PARALLEL TO HEATSLUG PLANE.
9. LEADS ARE NOT ALLOWED ABOVE THE DATUM -B-.
10. DIMENSION "b" DOES NOT INCLUDE DAMBAR PROTRUSION. ALLOWABLE DAMBAR PROTRUSION SHALL NOT CAUSE THE LEAD WIDTH TO EXCEED THE MAXIMUM "b" BY MORE THAN 0.08MM.
11. DIMENSIONS REFLECT CURRENT INDUSTRY TOLERANCES, FUTURE TOOLING IS DIRECTED TOWARDS THE NOMINAL DIMENSIONS.

JEDEC SOLID STATE PRODUCT OUTLINES	TITLE: PLASTIC SURFACE MOUNTED HEADER FAMILY R-PSIP-G	ISSUE A	DATE March '94	MO-169	SHEET 3 OF 3
--	---	------------	-------------------	--------	-----------------